

AB SYSTEMS

105

SERVICE INFORMATION

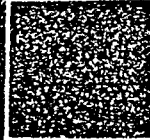
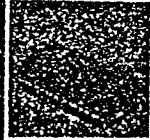
PARTS & SERVICE CALL 916-782-7776

**AB International Electronics, Inc.
1830-6 Vernon Street
Roseville, CA 95678
(916) 783-7800 FAX (916) 784-1050
Telex 269802 ABIT**

SPECIFICATIONS

POWER OUTPUT:	TWO CHANNEL: 50 WATTS PER CHANNEL INTO 8 OHMS 75 WATTS PER CHANNEL INTO 4 OHMS BRIDGE MODE: 150 WATTS INTO 8 OHMS.
FREQUENCY RESPONSE:	20Hz to 20kHz, +/- 0.25 dB
DISTORTION:	NO MORE THAN 0.1% THD OR IM
NOISE LEVEL:	-104 dB REFERRED TO RATED OUTPUT
INPUT IMPEDANCE:	25 KOHM NOMINAL
INPUT SENSITIVITY:	0.75 VOLTS rms FOR RATED OUTPUT
CROSSTALK:	80 dB DOWN AT 1kHz
WEIGHT:	18 POUNDS (8.2 kg.) LESS OPTIONS
DIMENSIONS:	1 3/4 INCHES HIGH, 19 INCHES WIDE, 10 3/4 INCHES DEEP (4.44cm X 48.26cm X 27.30cm)

ARCHITECT AND ENGINEERS SPECIFICATION: The amplifier shall be a two channel amplifier capable of delivering 50 watts per channel into 8 ohms, 75 watts per channel into 4 ohms, with no more than 0.1% THD or IM distortion from 20 Hz to 20kHz. The input impedance of the amplifier shall be 25 k ohms nominal with 0.75 V rms sensitivity for full rated output. Input configurations for either cannon (XLR), phone, terminal strip or phono shall be available via adaptor plates. The chassis shall be designed for mounting in a standard 19 inch wide rack panel requiring only one rack space (1 3/4 inch) in height and 10 3/4 inches depth. The amplifier shall operate from 120 or 240 vac single phase 50/60Hz and weigh no more than 18 pounds. The amplifier shall be the One-O-Five Amplifier by AB Systems Design, Inc.



STK-054

半導体ニュースNo.364A とさしかえてください。

- 特長
- ・ 2電源1チャンネル分内蔵, 出力電力 50W 以上.
 - ・ 差動段に定電流回路を内蔵.
 - ・ 負荷短絡保護回路が 外付けとして組込み可能.
 - ・ メイン部にトーン回路組込可能.

最大定格/ $T_a=25^\circ\text{C}$

			単位
最大電源電圧 E	$V_{CC \text{ max}}$	± 50	V
コレクタ電流	$I_C \text{ max}$	7	A
熱抵抗	θ_{j-c} 理想放熱状態	1.7	$^\circ\text{C}/\text{W}$
動作時IC基板温度	T_C	85	$^\circ\text{C}$
保存周囲温度	T_{stg}	$-30 \sim +100$	$^\circ\text{C}$

推奨動作条件/ $T_a=25^\circ\text{C}$

			単位
推奨電源電圧	V_{CC}	± 35	V
負荷抵抗	R_L	8	Ω

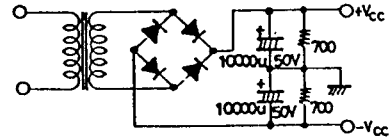
動作特性/ $T_a=25^\circ\text{C}$, $V_{CC}=\pm 35\text{V}$, $R_L=8\Omega$, $R_g=600\Omega$, $V_G=26.4\text{dB}$, 指定測定回路において:

			min	typ	max	単位
無信号電流	I_{CC0}	$V_{CC}=\pm 42\text{V}$		50	100	mA
出力電力	$P_O(1)$	THD=0.2%, $f=20\sim 20\text{kHz}$	50			W
	$P_O(2)$	THD=0.2%, $f=1\text{kHz}$		60		W
	$P_O(3)$	$V_{CC}=\pm 42\text{V}$, THD=0.2%, $f=1\text{kHz}$		70		W
全高調波ひずみ率	THD(1)	$P_O=1\sim 50\text{W}$, $f=20\sim 20\text{kHz}$			0.2	%
	THD(2)	$P_O=1\text{W}$, $f=1\text{kHz}$		0.03		%
周波数レスポンス	f	$P_O=1\text{W}$, $\pm 0\text{dB}$		10~100k		Hz
入力抵抗	r_1	$P_O=1\text{W}$, $f=1\text{kHz}$		52k		Ω
出力雑音電圧	V_{NO}	$V_{CC}=\pm 42\text{V}$ ※, $R_g=10\text{k}\Omega$	0.3		0.5	mVrms
出力中点電圧	V_N	$V_{CC}=\pm 42\text{V}$	-70		+70	mV

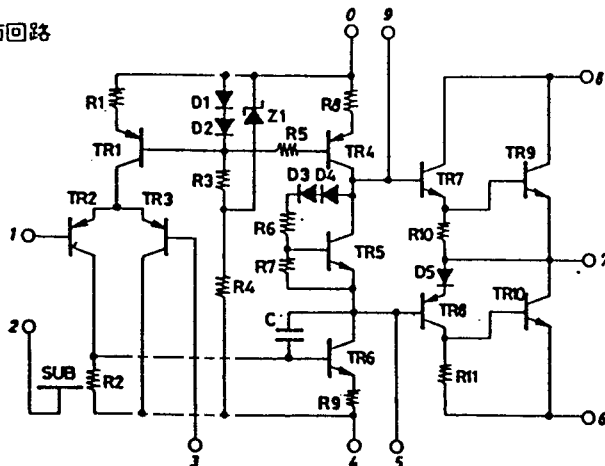
[注] 検査時の電源には 指定のないかぎり定電圧電源使用.

※印は 右上の指定電源回路使用.

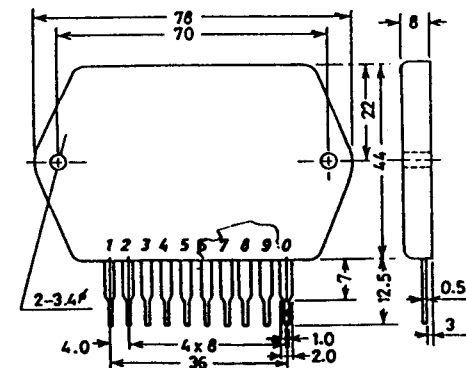
指定トランス電源 (山水RP-35相当)

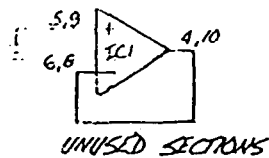
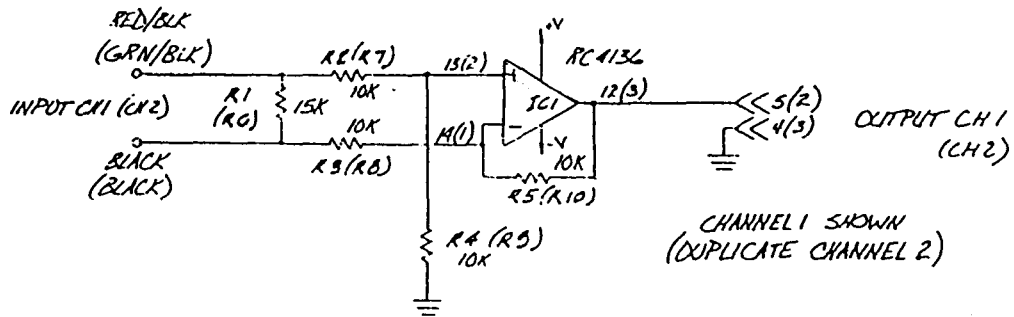
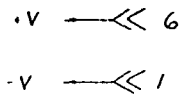
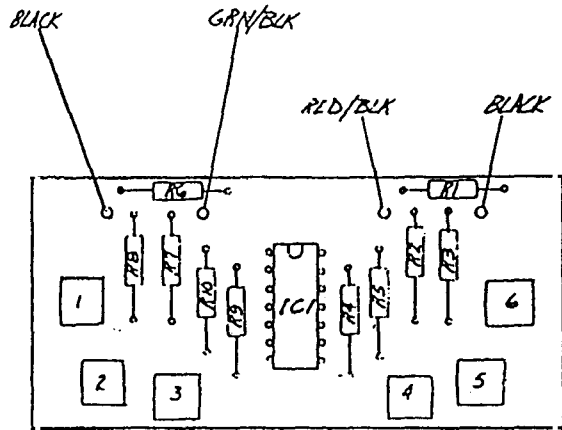


等価回路



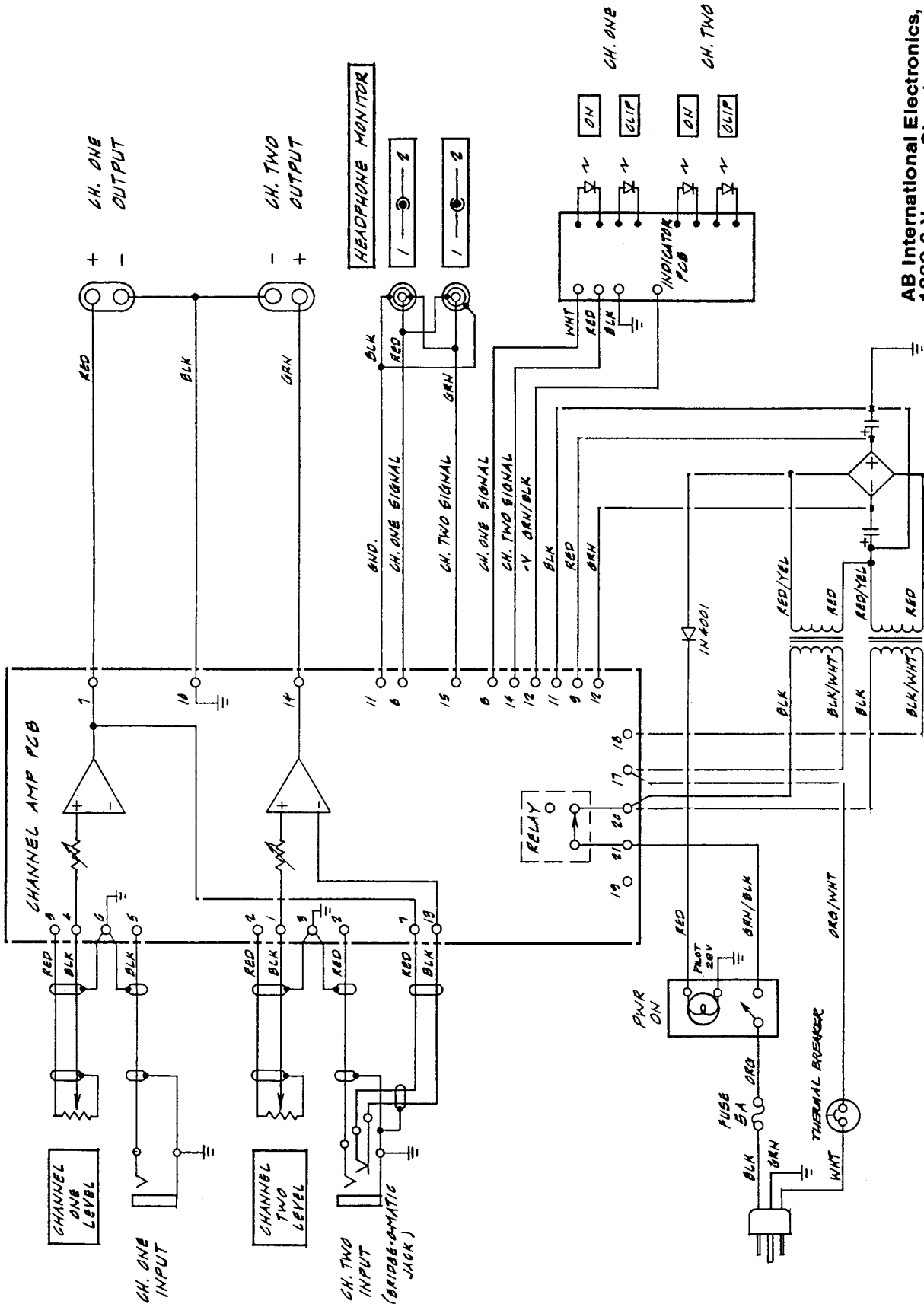
外形図
(単位: mm)





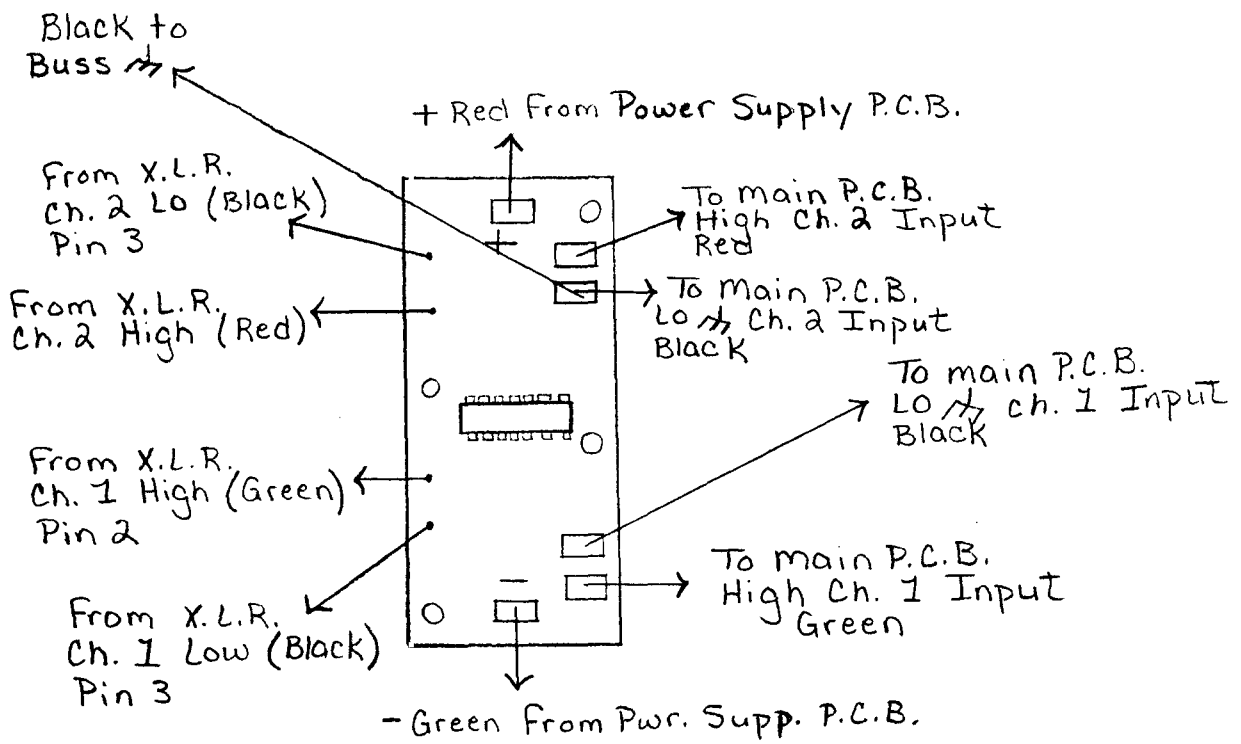
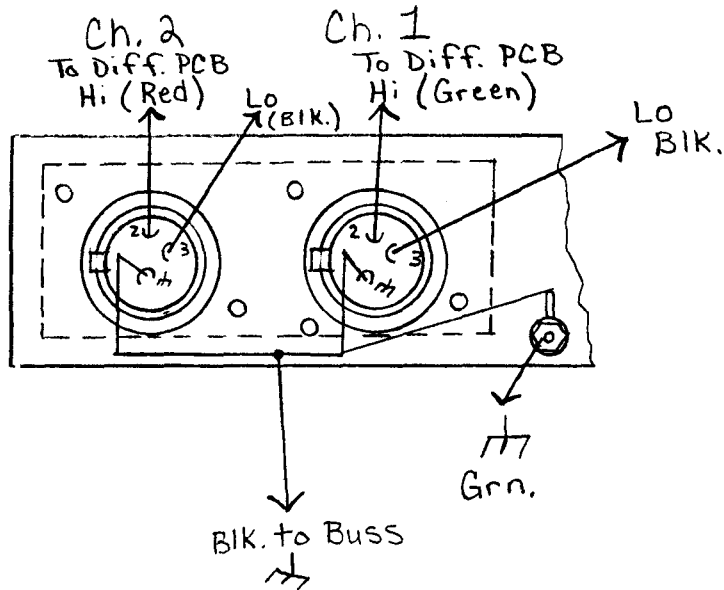
AB International Electronics, Inc.
1830-6 Vernon Street
Roseville, CA 95678
(916) 783-7800 FAX (714) 586-8229
Telex 269802 ABIT

AB SYSTEMS DESIGN, INC	
PCB ASSEMBLY: DIFF. INPUT	
FIRST USAGE: ALL 2 CHANNEL MODELS	
DATE: DEC '76	REV. AUG '80
ASSEMBLY NO. 502-557	

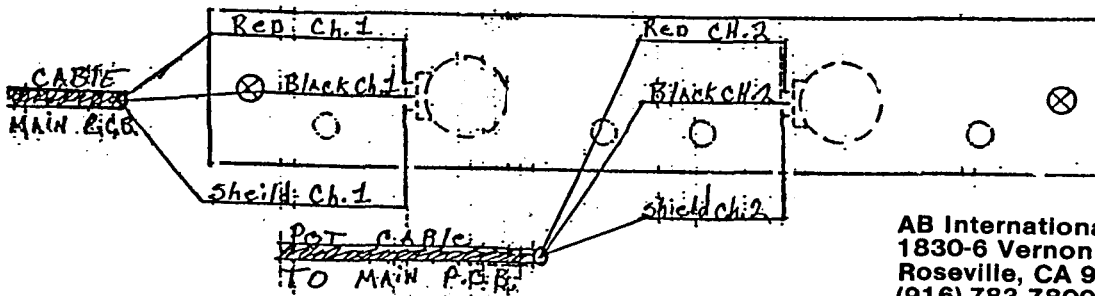
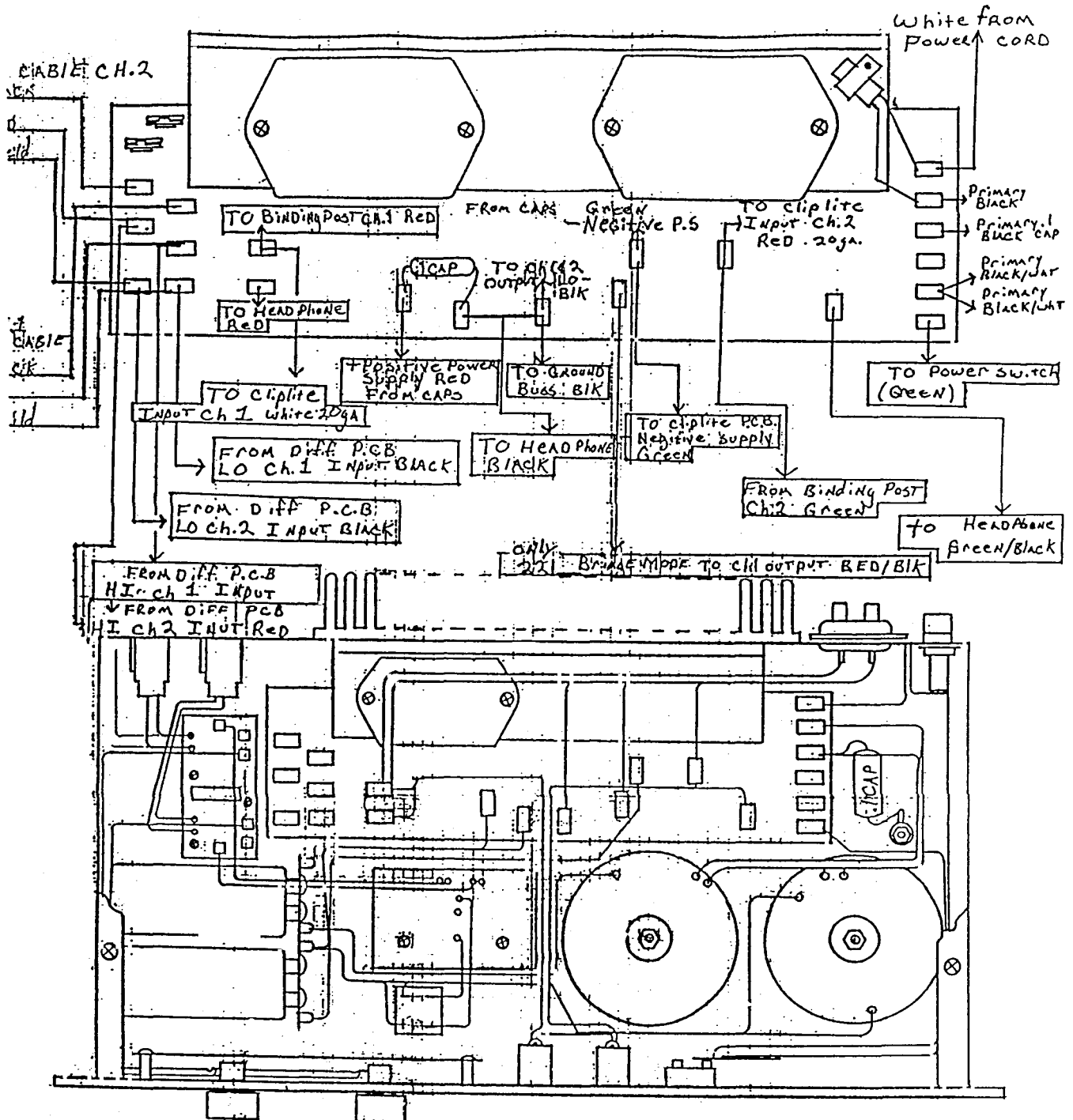


AB International Electronics, Inc.
 1830-6 Vernon Street
 Roseville, CA 95678
 (916) 783-7800 FAX (714) 586-8229
 Telex 269802 ABIT

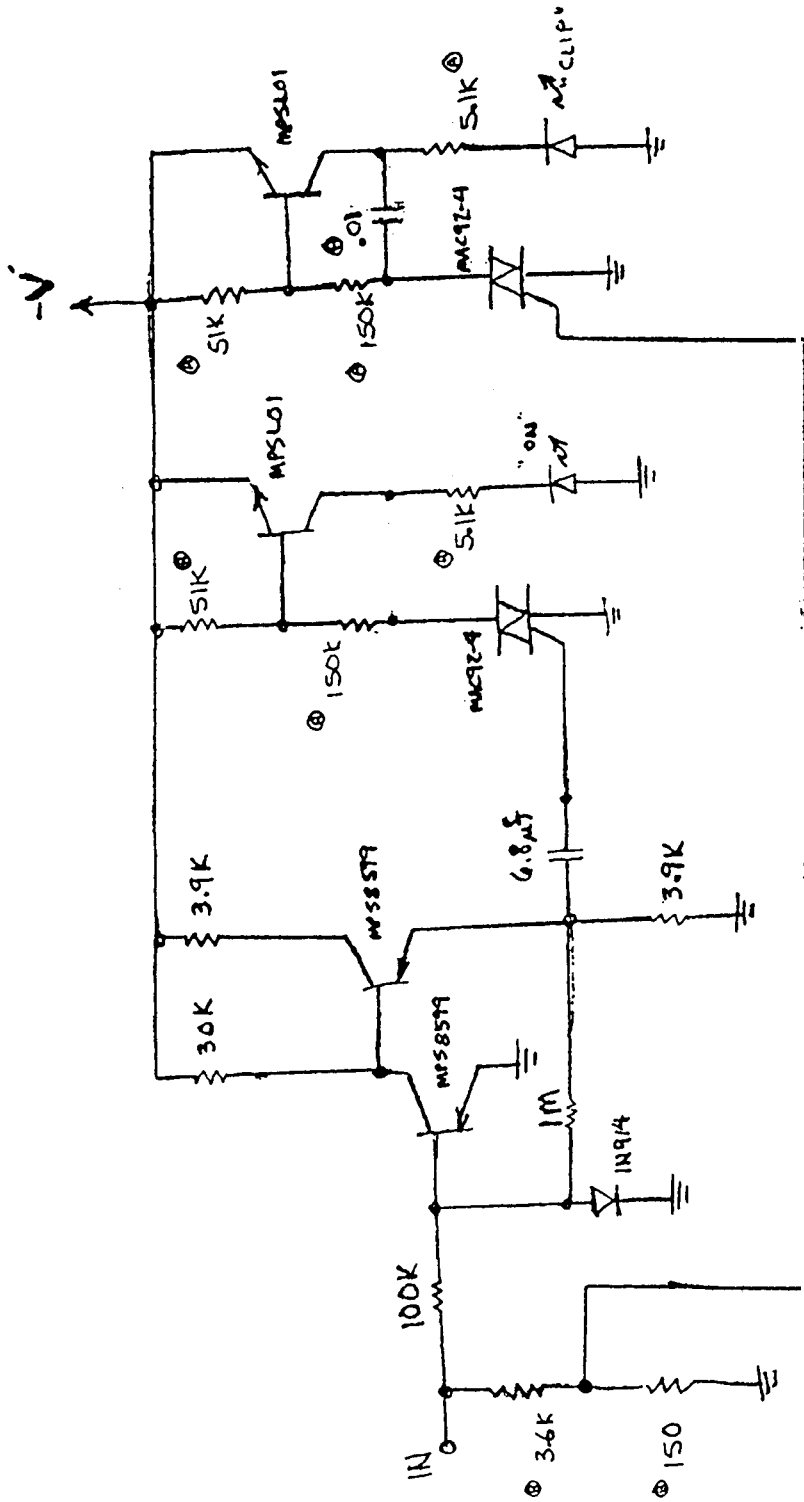
MASTER SCHEMATIC
 AB MODEL 105B



AB International Electronics, Inc.
 1830-6 Vernon Street
 Roseville, CA 95678
 (916) 783-7800 FAX (714) 586-8229
 Telex 269802 ABIT



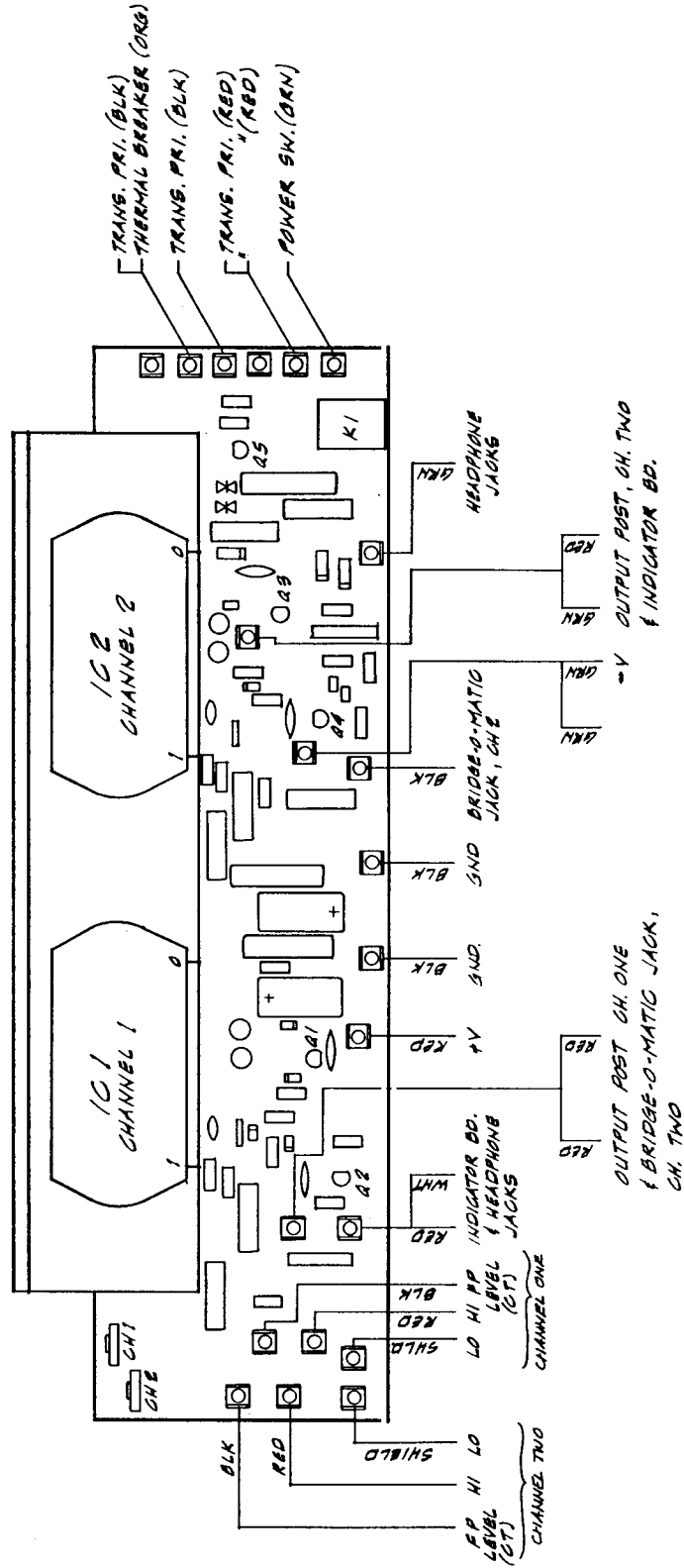
AB International Electronics, Inc.
 1830-6 Vernon Street
 Roseville, CA 95678
 (916) 783-7800 FAX (714) 586-8229
 Telex 269802 ABIT



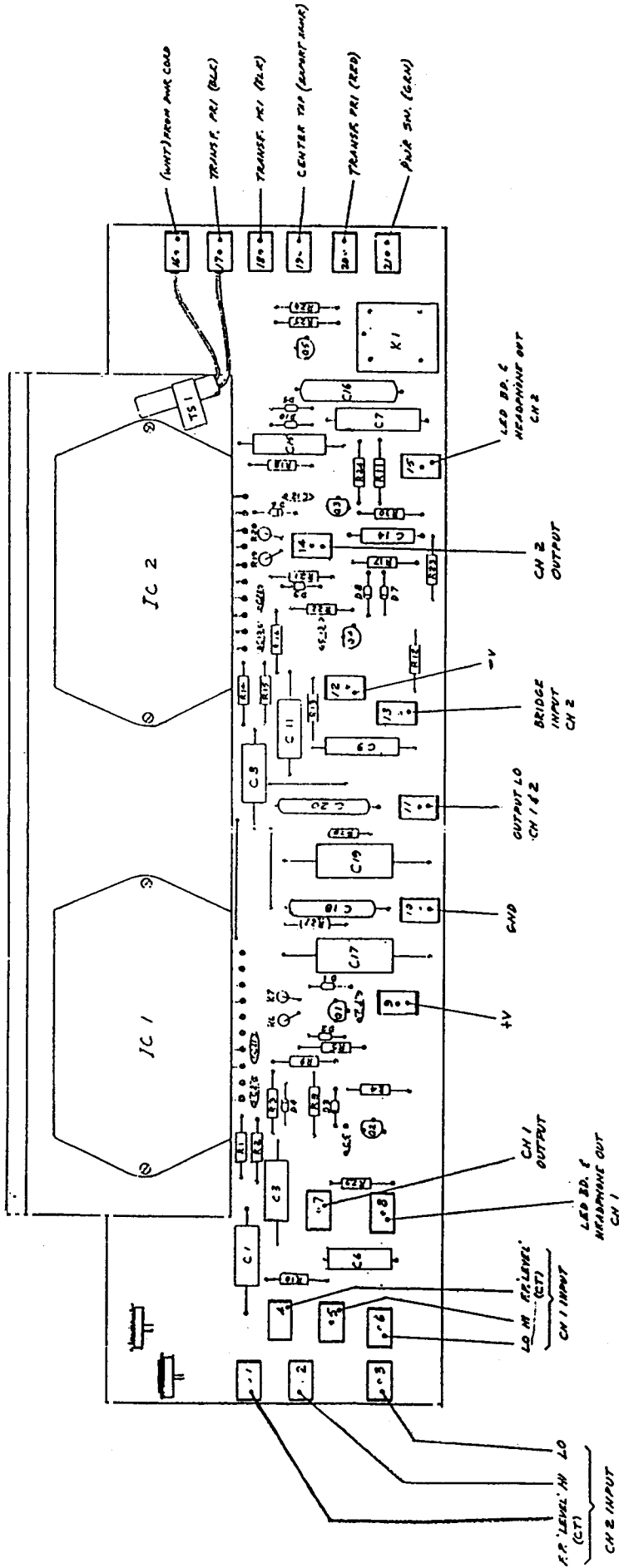
105
ON/CLIP CIRCUIT

10-3-80 *PLX*
A REV 10-9-80 *Busc*
B REV 10-28-80 *Busc*

AB International Electronics, Inc.
1830-6 Vernon Street
Roseville, CA 95678
(916) 783-7800 FAX (714) 586-8229
Telex 269802 ABIT

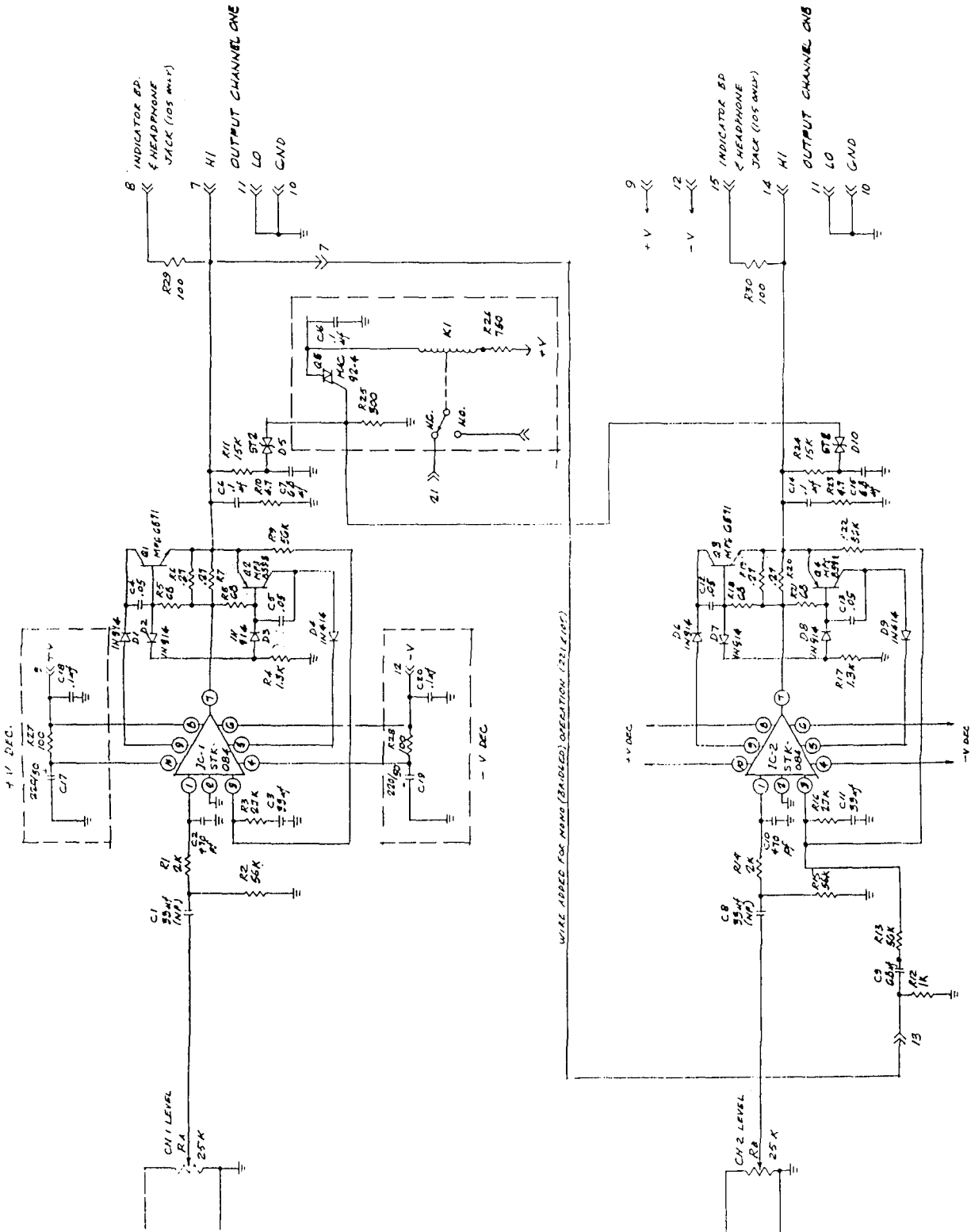


AB International Electronics, Inc.
 1830-6 Vernon Street
 Roseville, CA 95678
 (916) 783-7800 FAX (714) 586-8229
 Telex 269802 ABIT



AB SYSTEMS DESIGN, INC.
PCB ASSEMBLY, CH AMP
FIRST USAGE: MODEL 105
DATE: JUNE 80 REV.
ASSEMBLY NO. 502-525

AB International Electronics, Inc.
 1830-6 Vernon Street
 Roseville, CA 95678
 (916) 783-7800 FAX (714) 586-8229
 Telex 269802 ABIT



AB SYSTEMS DESIGN, INC.
PCB ASSEMBLY, CH AMP
FIRST USAGE: MODEL 105
DATE JUNE '80 REV.
ASSEMBLY NO 502-525

AB International Electronics, Inc.
 1830-6 Vernon Street
 Roseville, CA 95678
 (916) 783-7800 FAX (714) 586-8229
 Telex 269802 ABIT