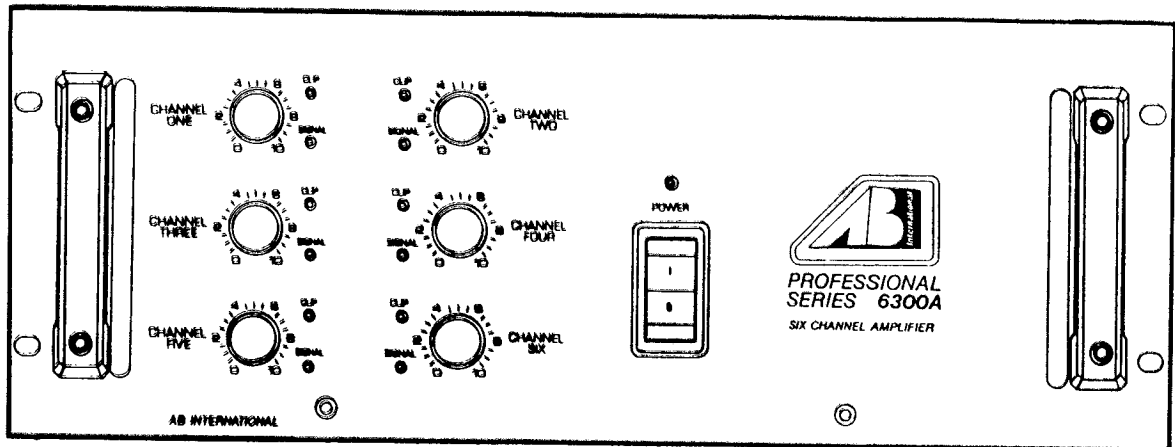


MODEL 6300A

SIX CHANNEL

AMPLIFIER



The AB International Professional Series Model 6300A is a six channel full featured Amplifier. This compact instrument (four rack unit) is equipped with three individual power supplies, six independent balanced and unbalanced inputs, detented level controls, signal present and "Soft Clip" indication, convection cooled with temperature activated fan assist, Stereo/Bridge switches per each two channels. The 6300 delivers 200 Watts into 8 Ohms, 300 Watts into 4 Ohms and 500 Watts into 2 Ohms all six channels driven from 20Hz to 20kHz at .1% distortion.

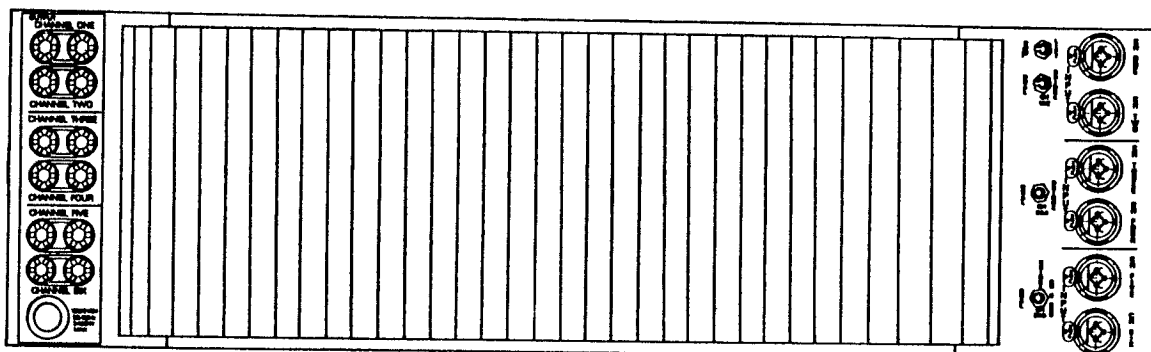
Model 6300A incorporates a three year Five Star protection plan featuring the following unprecedented circuitry. VI energy limiters are incorporated for short circuit protection. If an extreme low impedance exist, a current sensing circuit will reduce the output to prevent amplifier overdrive.

If an abnormal high AC line voltage is present or an excessive voltage surge appears, the amplifier will detect the situation and turn itself off. If an unlikely DC situation occurs, DC sensing circuits will trigger the amplifier channel and turn off. Thermal sensors are installed in each channel to prevent an over temperature condition. "Soft Clip" circuitry has been incorporated for added protection to prevent hard clipping from improper use.

A rear panel 100Hz Linkwitz Riley fourth order Lo-Pass filter switch has been added to channel Six for subwoofer applications. Other features included are internal selectable input sensitivity, ground lift switch and fully modular design for service accessibility. 70v transformers are available in a variety of options for distributed systems.

The Model 6300A operates from 100/240V 50-60Hz AC Mains and measures 7" high (four rack unit), 19" wide and 14" deep.

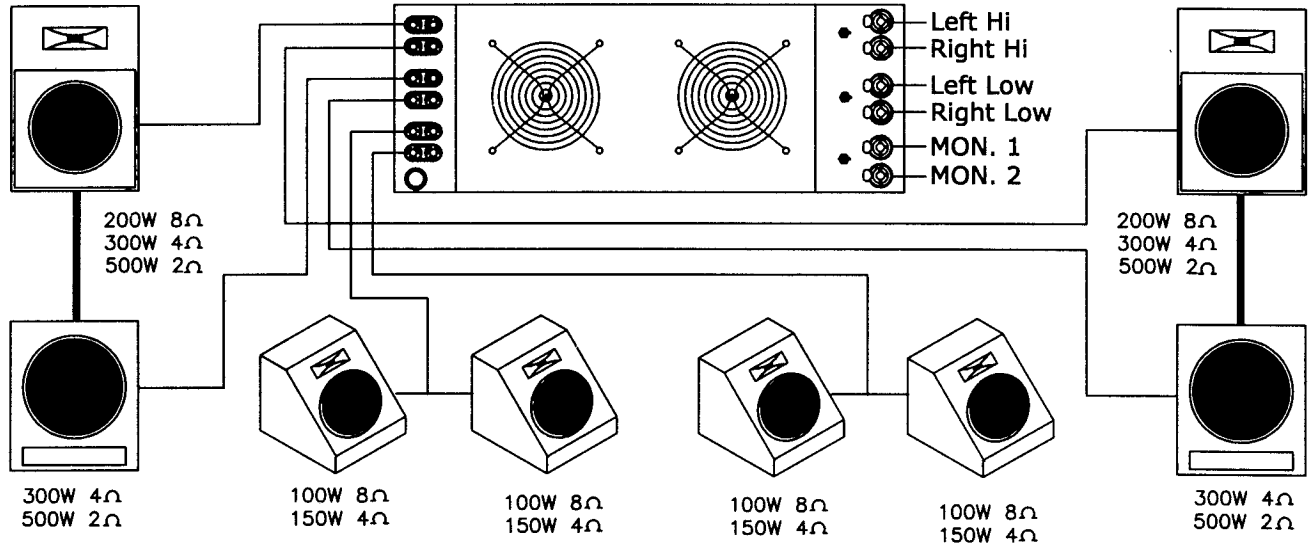
AB MODEL 6300A SPECIFICATIONS



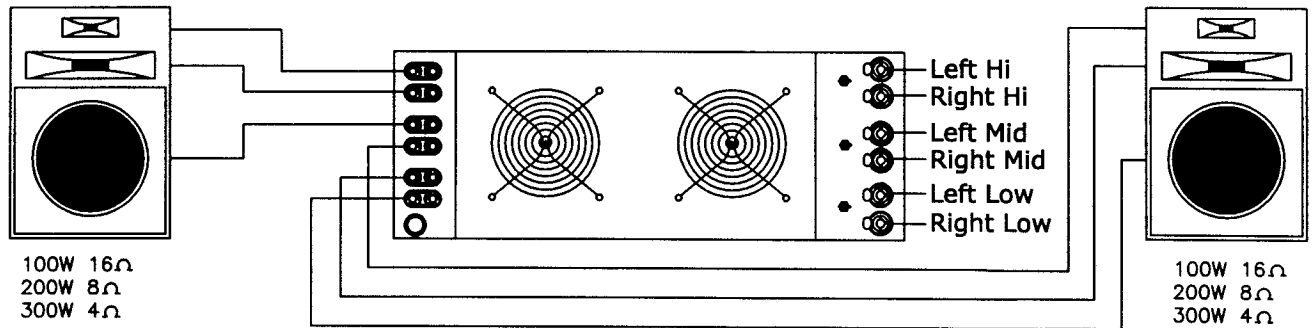
Type:	Six channel amplifier	Damping Factor:	500:1 at 1kHz
Continuous Power Output Per Channel 20Hz to 20KHz:	200w @ 8 Ohms 300w @ 4 Ohms 500w @ 2 Ohms 550w @ 8 Ohm Bridged 900w @ 4 Ohms Bridged 70v Operation (Call for specs.)	Slew Rate:	Closed-loop response greater than 40V per microsecond
Frequency Response:	Plus/minus 0.25dB 20-20kHz	Crosstalk:	-80dB
Distortion:	No more than 0.1% THD or IM, 0.01 to rated output, 20Hz to 20kHz (typically 0.01%)	Gain:	30.5dB
Hum & Noise:	101 dB below rated output (unweighted, 20kHz bandwidth)	Mainframe Power Supply:	Toroidal transformer, 3 separate power supplies 6EA (15kuf) capacitors
Input Sensitivity:	1.0V RMS for rated output (selectable) .775V, 1.0V, 1.5V	Turn-On Delay:	3 sec., solid-state actuated
Input Connectors:	1/4" phone jack (balanced) XLR (balanced)	Power Requirements:	AC Mains- 100-240VAC 50/60Hz@15A/7.5A
Output Connect.:	5-way binding posts	Thermal Protection:	Thermal sensor activates channel shutdown if an over-heating condition exists
Controls & Indicators:	(Front panel) AC mains power Breaker, power on LED, level controls, signal/clip LED's, (Rear panel) ground lift switch, stereo/bridged switches per each two channels, Low Pass filter Ch Six.	DC Protection:	DC sensor activates channel shutdown if DC condition exists, Soft clip protection
		Heatsink and Cooling:	Convection cooling utilizing massive heatsink extrusions with fan assist.
		Construction:	14-gauge cold-rolled steel with 3/16" heavy aluminum front panel
		Dimensions:	Slimline 7" height, 19" standard rack mount width, 14" depth overall (less handles)
		Weight:	45 lbs. (20.51kg)

6300A APPLICATIONS

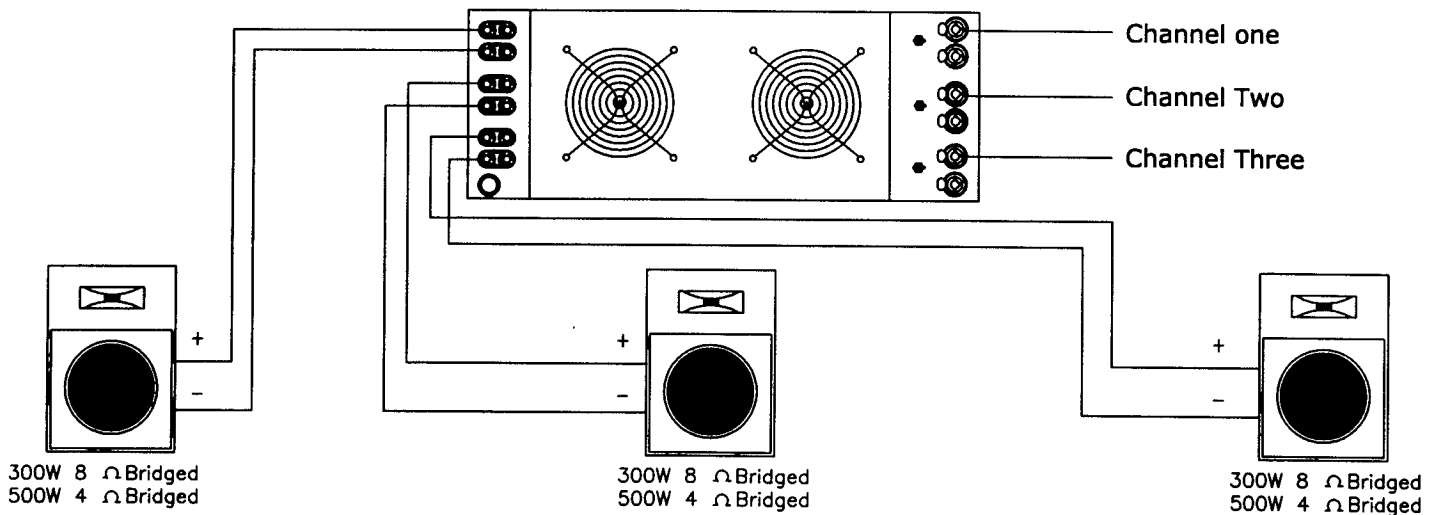
Two Way Stereo With Two Monitor Mixes



Stereo Tri Amp



Three Channel Bridge Mode

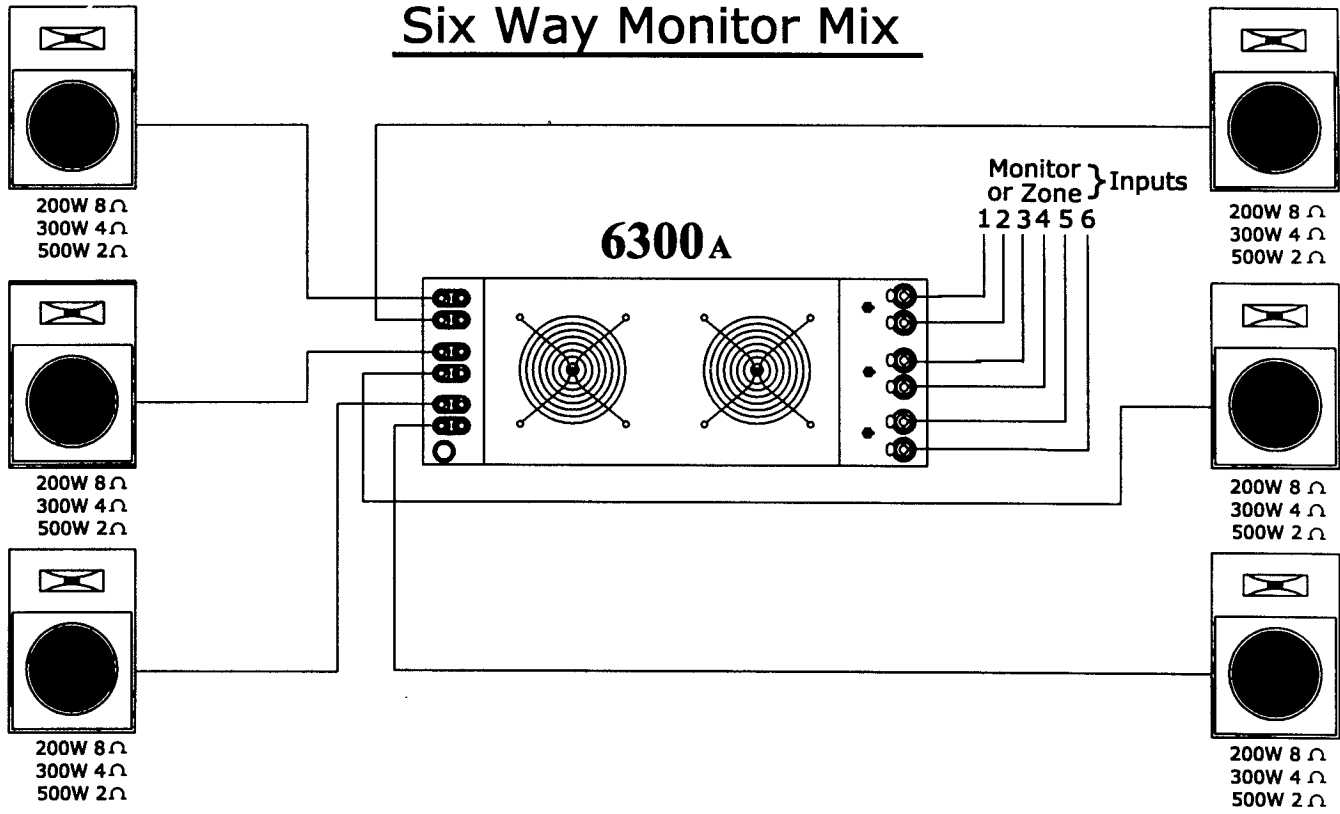


6300A APPLICATIONS

Six Zone Amplifier

70V-with Added Transformers

Six Way Monitor Mix



Night Club / Home Theater Surround Sound

