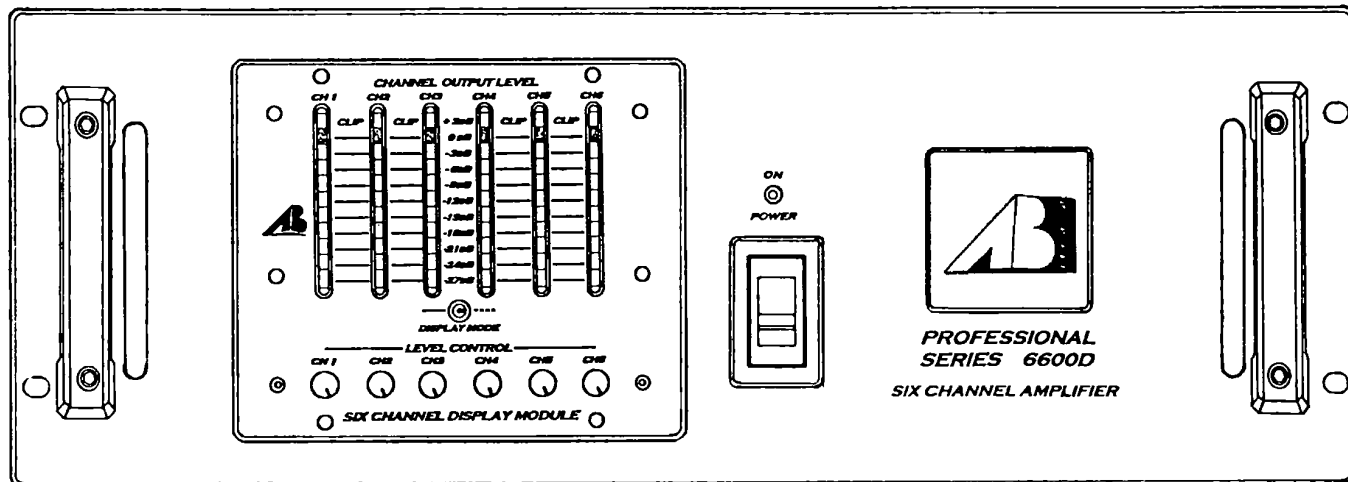




MODEL 6600D

SIX CHANNEL

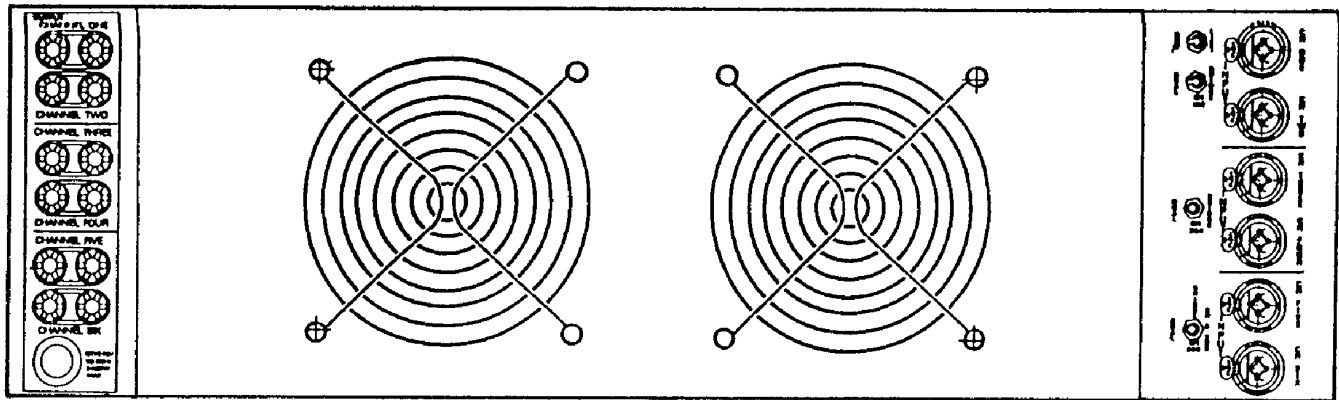
AMPLIFIER



The Amplified Design International Professional Series Model 6600DA is a six channel full featured Amplifier. This compact instrument (four rack unit) is equipped with three individual power supplies, six independent balanced and unbalanced inputs, 6 detent level controls, 11-LED VU meter output indicators with "Soft Clip" indication, dual temperature activated fan assist, Stereo/Bridge switches per each two channels. The 6600D delivers 400 Watts into 8 Ohms, 600 Watts into 4 Ohms and 750 Watts into 2 Ohms all six channels driven from 20Hz to 20kHz at less than .1% distortion (typically 0.01%). Model 6600D incorporates a three-year, Five Star protection plan featuring the following unprecedented circuitry. VI energy limiters are incorporated for short circuit protection. If extreme low impedance does exist on any channel, a current sensing circuit will reduce the output to prevent amplifier overdrive.

If an abnormally high AC line voltage is present or an excessive voltage surge appears, the amplifier will detect the situation and turn itself off. If an unlikely DC situation occurs, DC sensing circuits will trigger the amplifier channel and turn off. Thermal sensors are installed in each channel to protect against an over temperature condition. "Soft Clip" circuitry has been incorporated for added protection to prevent hard clipping from improper use. A rear panel selectable 80Hz Linkwitz Riley fourth order Lo-Pass filter switch has been added to channel six for subwoofer applications. Other features included are internal selectable input sensitivity, ground lift switch and fully modular design for service accessibility. Remote turn on is available as an option. The Model 6600D will operate from 100/240V 50-60Hz AC Mains and measures 7" high (four rack unit), 19" wide and 16 1/2" deep.

AB MODEL 6600D SPECIFICATIONS

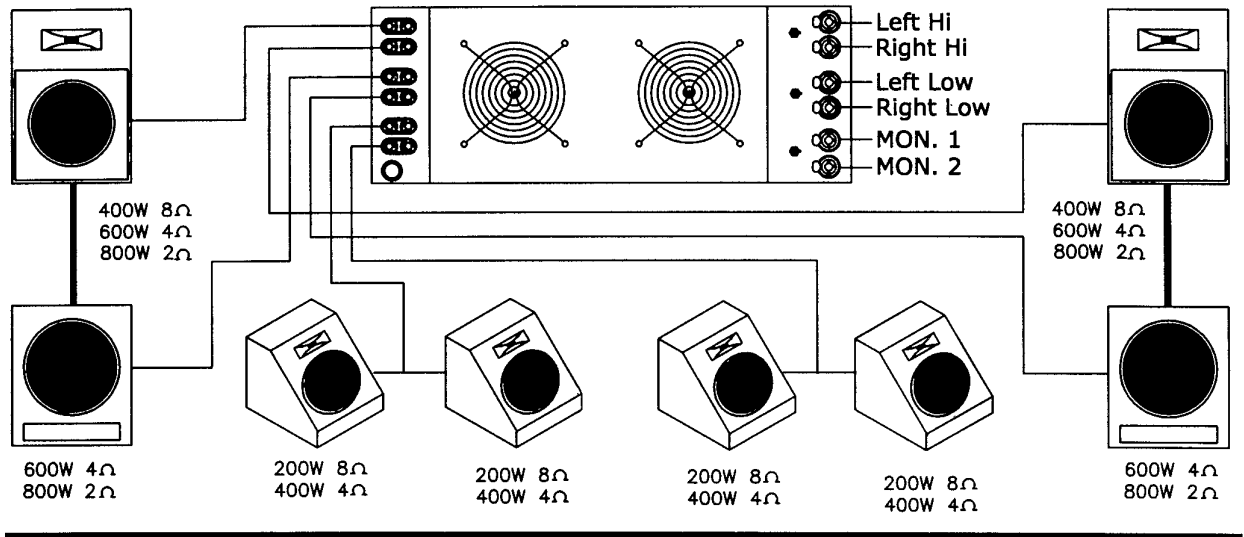


Type:	Six Channel Amplifier	Gain	34dB
Continuous Power Output Per Channel @ 20Hz – 20kHz:	400W @ 8 Ohms 600W @ 4 Ohms 750W @ 2 Ohms 1200W @ 8 Ohms Bridged 1500W @ 4 Ohms Bridged	Mainframe Power Supply:	Toroidal transformer, 3 separate power supplies w/ 6ea 15k/uf capacitors
Frequency Response:	+/- 0.25dB 20Hz – 20kHz	Turn-On Delay:	3 seconds
Distortion:	No more than 0.1%THD or IM, 0.01W to rated output, 20Hz-20kHz (Typically 0.01%)	Power Requirements:	AC Mains 100-240VAC, (120VAC from factory, unless otherwise indicated) 50/60Hz, 32A/16A for 2 Ohm, 20A/10A for 4 Ohm
Hum & Noise:	101dB below rated output (unweighted, 20kHz bandwidth)	Thermal Protection:	Each channels thermal sensor activates channel shutdown if an over-heating condition exists.
Input Sensitivity:	1.0VRMS for rated output (selectable - .775V, 1.0V, 1.5V)	DC Protection:	Dc sensor activates channel shutdown if DC condition exists.
Input Connectors:	¼" Phone Jack (Balanced) XLR (Balanced)	Heatsink and Cooling:	Dual fan, two speed cooling utilizing massive heatsink extrusions.
Output Connectors:	5-way Binding posts	Construction:	14-gauge cold-rolled steel with 3/16" heavy aluminum front panel
Controls & Indicators	(Front Panel) Ac mains power switch (breaker), power on LED, level controls, signal/clip LED'S, (Rear Panel) ground lift switch, stereo/bridge switches per each two channels, Low Pass Filter switch (Ch6)	Dimensions:	Slim line 7"height, 19" standard rack mount width, 16 ½" depth overall (less handles)
Damping Factor:	500:1 @ 1kHz	Unit Weight:	62 lbs (28.18kg)
Slew Rate:	Closed-loop response greater than 40V/us	Shipping Weight:	67 lbs (30.15 kg)
Crosstalk:	-80dB		

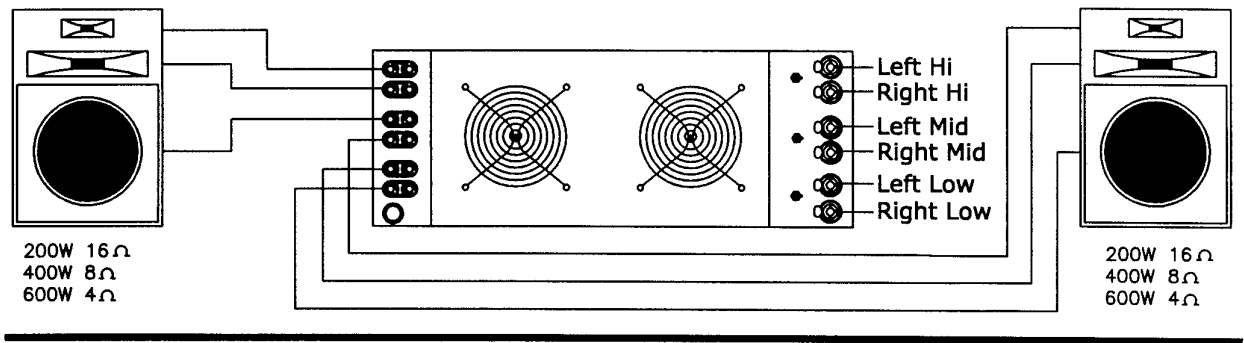
Amplified Design Int'l (mfr of AB Int'l products) 1830-6 Vernon St. Roseville, CA 95678
 Phone 916-783-7800 Fax 916-784-1050 Web Site: www.abamps.com E-Mail: sales@abamps.com

6600D Applications

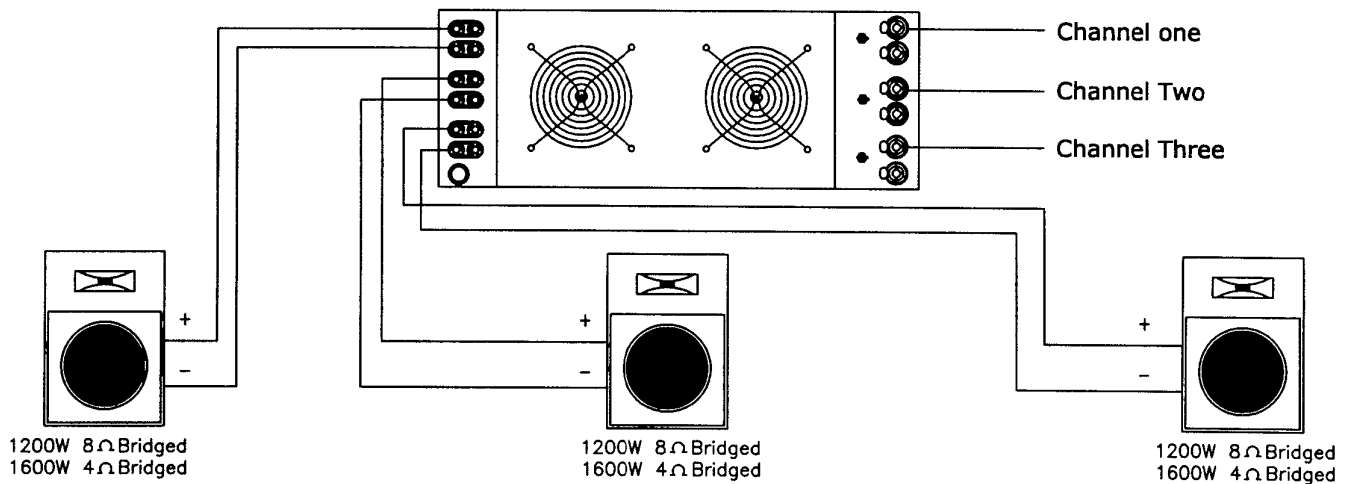
Two Way Stereo With Two Monitor Mixes



Stereo Tri Amp



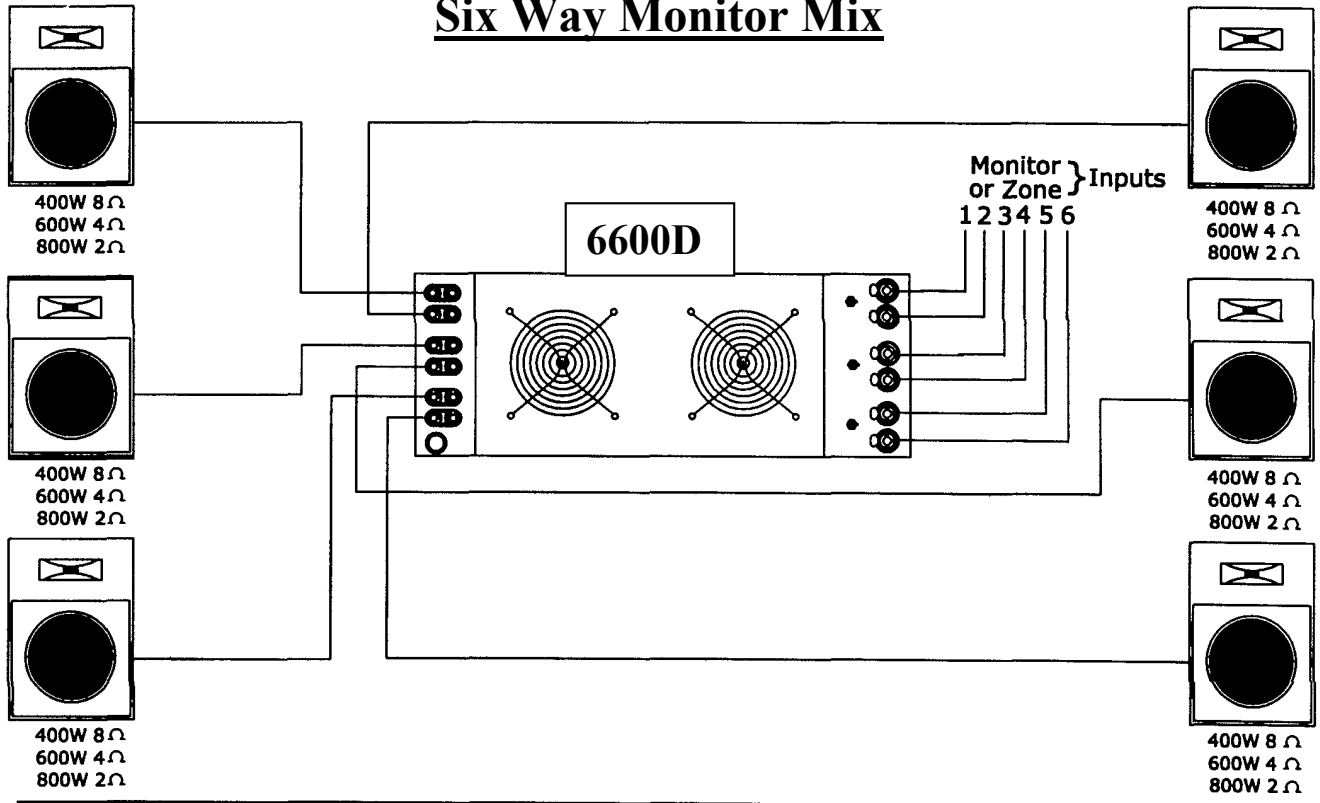
Three Channel Bridge Mode



6600D Applications

Six Zone Amplifier

Six Way Monitor Mix



Night Club / Home Theater Surround Sound

